

TRA Cooling towers with capacities from 49.53 up to 1084.88 kW



Features

- Available in 17 different sizes
- TRA from 50 up to 750 with only silenced and inspection window standard
- TRA from 850 up to 1100 standard and silenced with inspection door to a crawl Series
- Entirely built of fibre-glass reinforced resin to avoid corrosion problems with surface treatment to withstand ultraviolet rays, heat changes and scuffing caused by bad weather
- Limited to the three largest sizes (TRA 850, 950 and 1100) the bearing structure is made of hot galvanised steel with 22mm thick fibre-

glass reinforced resin sandwich panels, with support foam material inside. In this way, as well achieving good mechanical strength the sound of the water flowing is muffled. Surface treatment to withstand ultraviolet rays, heat changes and scuffing caused by bad weather.

- Self-bearing structure
- Exchange pack and drip separator made of self-extinguishing PVC
- PVC water distribution pipes with polypropylene nozzles
- Hydrometer (when there is not water flow

rate measuring device, this instrument makes possible to have an approximate indication of the flow rate of the water in circulation based on the nozzle load drop)

- Plastic bleed cock
- Axial high efficiency fan with several blades
- Water drip pan, waterproof and water resistant made of fibreglass reinforced polyester resin with multi layer glass material
- Personal protection grill made of AISI 304 on the fan outlet

Accessories*

- RT: Heater element with regulating thermostat.

TRA	Compatibility of accessories																	
	50	70	90	110	130	170	200	240	300	400	500	550	600	750	850	950	1100	
RT 11 (1 kW)	✓	✓	✓	✓	✓													
RT 12 (2 kW)						✓	✓	✓	✓									
RT 13 (3 kW)										✓	✓	✓						
RT 15 (5 kW)													✓	✓	✓	✓		
RT 17 (7.5 kW)																		✓

N.B. = In the case of RT accessories, the number between brackets indicates the capacity of the heater element.

* = All the accessories and/or variants must in all cases be specified when the order is placed.

Technical data

Mod. TRA		50	70	90	110	130	170	200	240	300
Capacity	kW	49.53	69.06	88.60	107.44	125.58	168.14	197.67	242.09	302.33
Air flow rate	m ³ /h	4300	7100	7100	7100	12000	12000	17000	17000	26000
Water flow rate	l/h	7100	9900	12700	15400	18000	24100	28330	34700	43300
Pressure drops	kPa	42	32	52	32	42	28	35	23	40
Motor power	kW	0.55	0.75	0.75	0.75	1.1	1.1	1.5	1.5	2.2
Motor poles	n.	4	4	4	4	6	6	6	6	6
Motor poles (double polarity)	n.	4/8	4/8	4/8	4/8	6/12	6/12	6/8	6/8	6/8
Fans	n.	1	1	1	1	1	1	1	1	1
Nozzles	n.	1	1	1	1	1	1	1	4	4
♪ Sound pressure	dB (A)	52	52	54	54	54	54	54	55	55

Mod. TRA		400	500	550	600	750	850	950	1100
Capacity	kW	405.35	488.37	574.19	604.88	767.44	856.74	941.86	1084.88
Air flow rate	m ³ /h	26000	36000	45000	45000	59000	59000	59000	70000
Water flow rate	l/h	58100	70000	82300	86700	110000	122800	135000	155500
Pressure drops	kPa	28	40	55	30	48	49	25	32
Motor power	kW	2.2	4	4	4	5.5	5.5	5.5	7.5
Motor poles	n.	6	6	6	6	8	8	8	8
Motor poles (double polarity)	n.	6/8	6/12	6/12	6/12	8/16	8/16	8/16	8/16
Fans	n.	1	1	1	1	1	1	1	1
Nozzles	n.	4	4	4	9	9	16	16	16
♪ Sound pressure	dB (A)	57	57	58	61	61	62	62	64
♪ Sound pressure (silenced version)	dB (A)						56	56	57

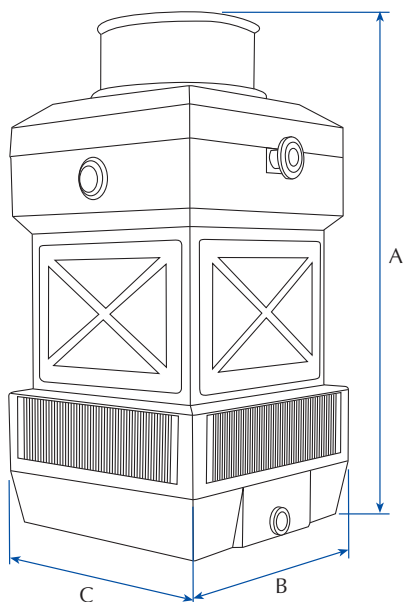
* = Sizes from 50 to 750 are only muted.

Power supply = 3~ 230V 50Hz; 3N~ 400V 50Hz.

Performance values refer to the following conditions:

- ♪ Sound pressure measured in free field conditions at distance of 10 m with direction factor = 2.
- air inlet temperature 23.5 °C W.B.;
- water inlet temperature 35 °C;
- water outlet temperature 29 °C

Dimensions (mm)



Mod. TRA		50	70	90	110	130	170	200	240	300	400	500	550	600	750	850	950	1100
Height	A	2110	2110	2595	2595	2595	2800	2800	2860	2860	3140	3140	3380	3450	3450	3685	3685	3685
Width	B	800	800	1000	1000	1000	1200	1200	1400	1400	1740	1740	1900	2100	2100	2025	2025	2360
Depth	C	800	800	1000	1000	1000	1200	1200	1400	1400	1740	1740	2100	2300	2300	2360	2360	2380
Weight	kg	75	75	85	95	95	170	170	210	210	410	410	500	555	580	850	815	915

The technical data in this document are not binding.
Aermec S.p.A. reserves the right to make whatever modifications it deems necessary to improve the product at any time.

Aermec S.p.A.
Via Roma, 996 - 37040 Bevilacqua (VR) - Italy
Tel. +39 04 42 63 31 11 - Telefax +39 044 29 35 66
www.aermec.com